

各種特殊金剛石銼



■特長

●形狀，尺寸，金剛石粒度，金剛石長度等一應俱備。能應對各種作業。
還能根據客戶要求定制特殊形狀的金剛石銼。

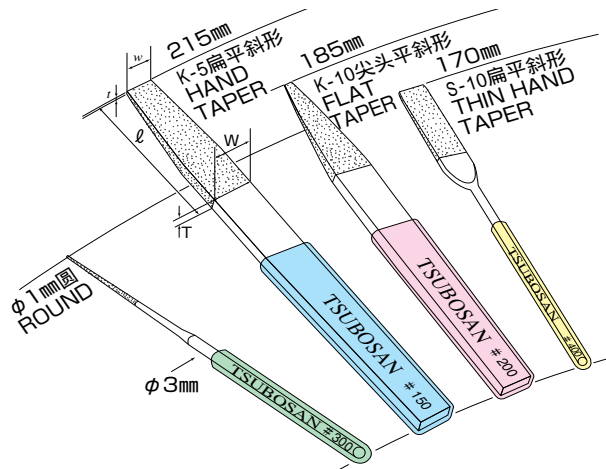
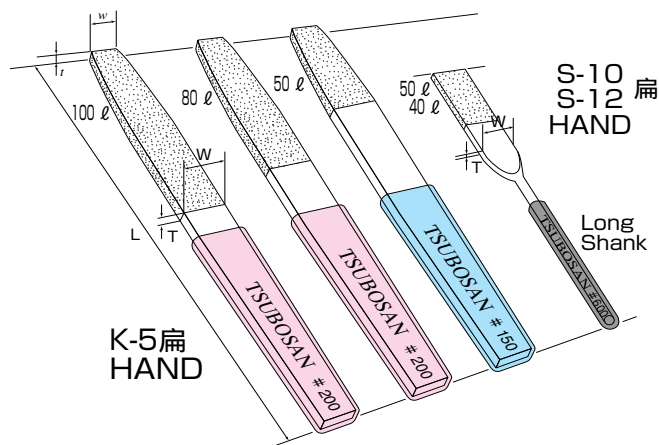
■金剛石粒度

●根據把手顏色的不同容易識別作業中金剛石的粒度。

■Use : Various kinds of SHAPES, DIMENSIONS and DIAMOND GRID NUMBERS(#) are combined to polish the surfaces of the hardened Metals and Ceramics in works. Furthermore, TSUBOSAN accepts the customer's special order with a will.

According to each difference of Grip Color, a worker can distinguish each roughness of Diamond File during his work.

	紫 (PURPLE)	#100	
	藍 (BLUE)	#150	
	紅 (RED)	#200	
	綠 (GREEN)	#300	
	黃 (YELLOW)	#400	
	黑 (BLACK)	#600	



金剛石平斜銼

DIAMOND TAPERED FORM

426

規格表 STANDARD TABLE

DIMENSION		L		W × T mm	w × t mm	BOX		ITEM No.				
		L	ℓ mm			pcs	kg-5 pcs	#150	#200	#300	#400	#600
K-5	扁平斜形 HAND TAPER	215	50	11.0×2.0	10.0×0.9	5	0.26	DKHI051T(50)	—	—	—	—
		215	80	11.0×3.0	10.0×0.9	5	0.26	DKHI051T(80)	—	—	—	—
K-8	扁平斜形 HAND TAPER	200	50	9.0×2.5	8.0×0.7	5	0.19	DKHI081T	DKHI082T	—	—	—
K-10	扁平斜形 HAND TAPER	185	50	7.0×1.8	6.5×0.7	5	0.12	DKHI101T	DKHI102T	—	DKHI104T	DKHI106T
	尖頭平斜形 FLAT TAPER	185	50	7.0×2.0	1.5×0.6	5	0.11	—	DKSH102T	—	—	—
K-12	扁平斜形 HAND TAPER	170	50	4.0×1.8	3.7×0.7	5	0.06	DKHI121T	DKHI122T	—	DKHI124T	DKHI126T
	尖頭平斜形 FLAT TAPER	170	50	4.0×1.4	1.5×0.6	5	0.06	—	DKSH122T	—	DKSH124T	DKSH126T
極細扁平斜形 VERY THIN HAND TAPER		170	50	2.5×1.3	2.0×0.4	5	0.02	—	DGHI122T	—	—	—

金剛石薄平銼

DIAMOND THIN HAND FORM

427

規格表 STANDARD TABLE

DIMENSION		L		W × T mm	w × t mm	BOX		ITEM No.				
		L	ℓ mm			pcs	kg-5 pcs	#150	#200	#300	#400	#600
S-8	薄平 THIN HAND	180	50	6.5×0.8	—	5	0.12	—	DSHI082U	DSHI083U	—	—
S-10	薄平 THIN HAND	170	40	5.8×1.1	—	5	0.06	DSHI101U	DSHI102U	DSHI103U	—	—
	0.5mm 薄平 0.5mm THIN HAND	170	40	5.8×0.5	—	5	0.06	—	DSHI102U(0.5)	—	DSHI104U(0.5)	—
	薄平斜 THIN HAND TAPER	170	30	5.8×0.7	5.8×0.4	5	0.06	—	DHI102TU	DHI103TU	—	—
極細平 VERY THIN HAND DITCH		170	50	2.5×1.3	—	5	0.02	—	DGHI122U	—	—	—